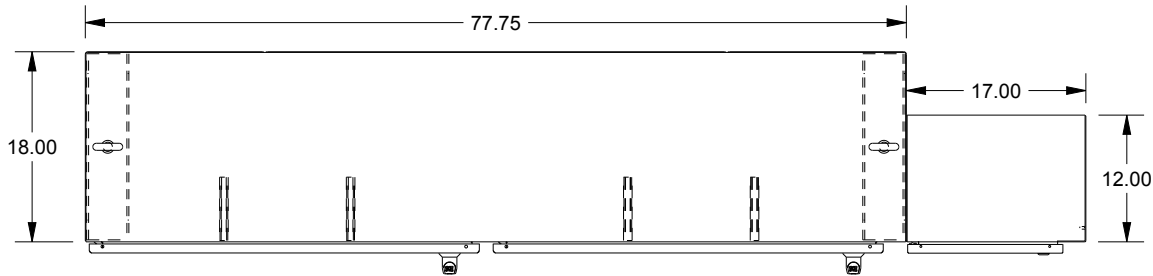
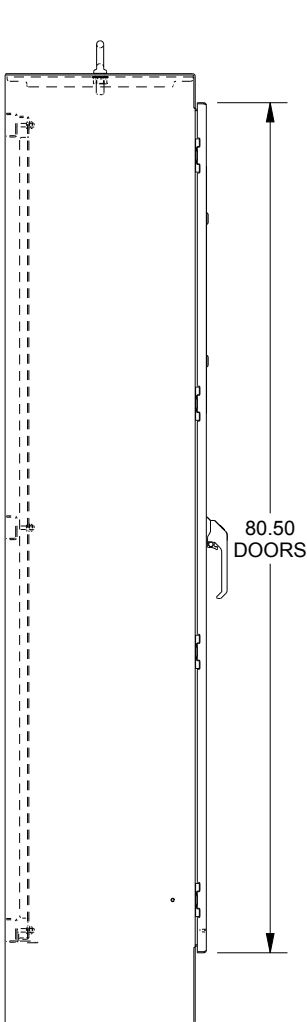


SAGINAW CONTROL & ENGINEERING

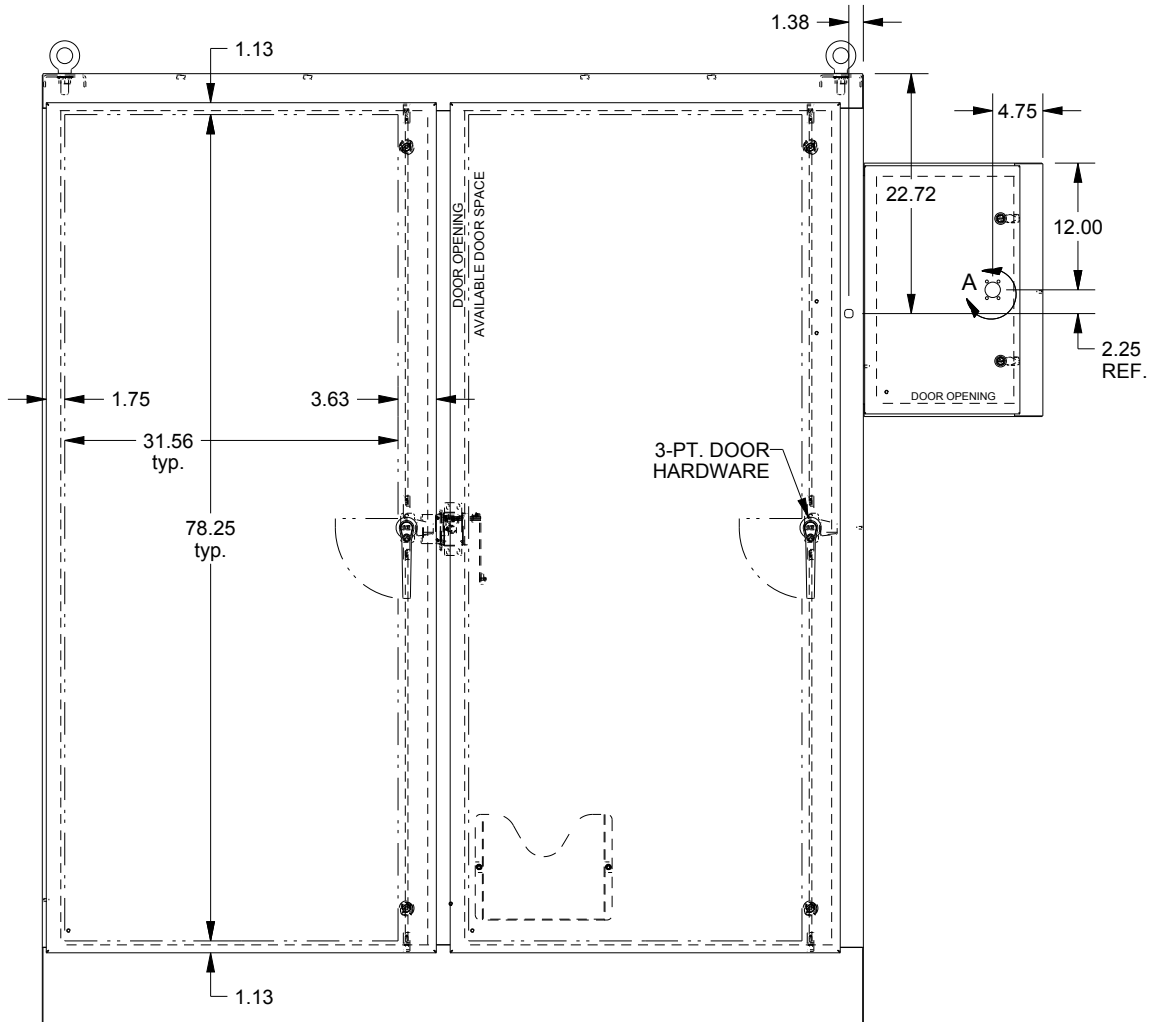
SCE-90XR7818



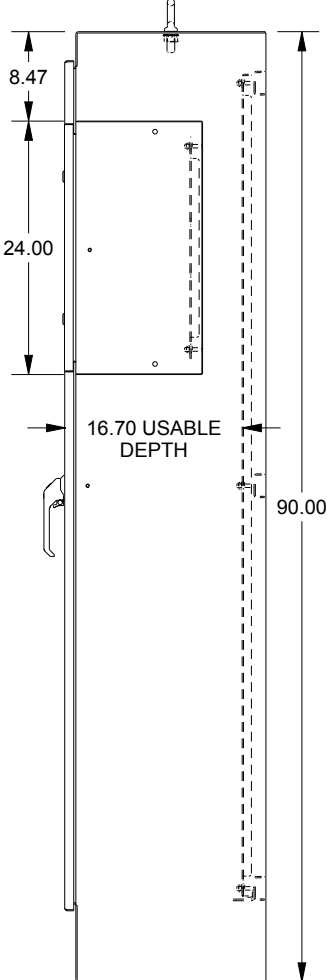
TOP VIEW



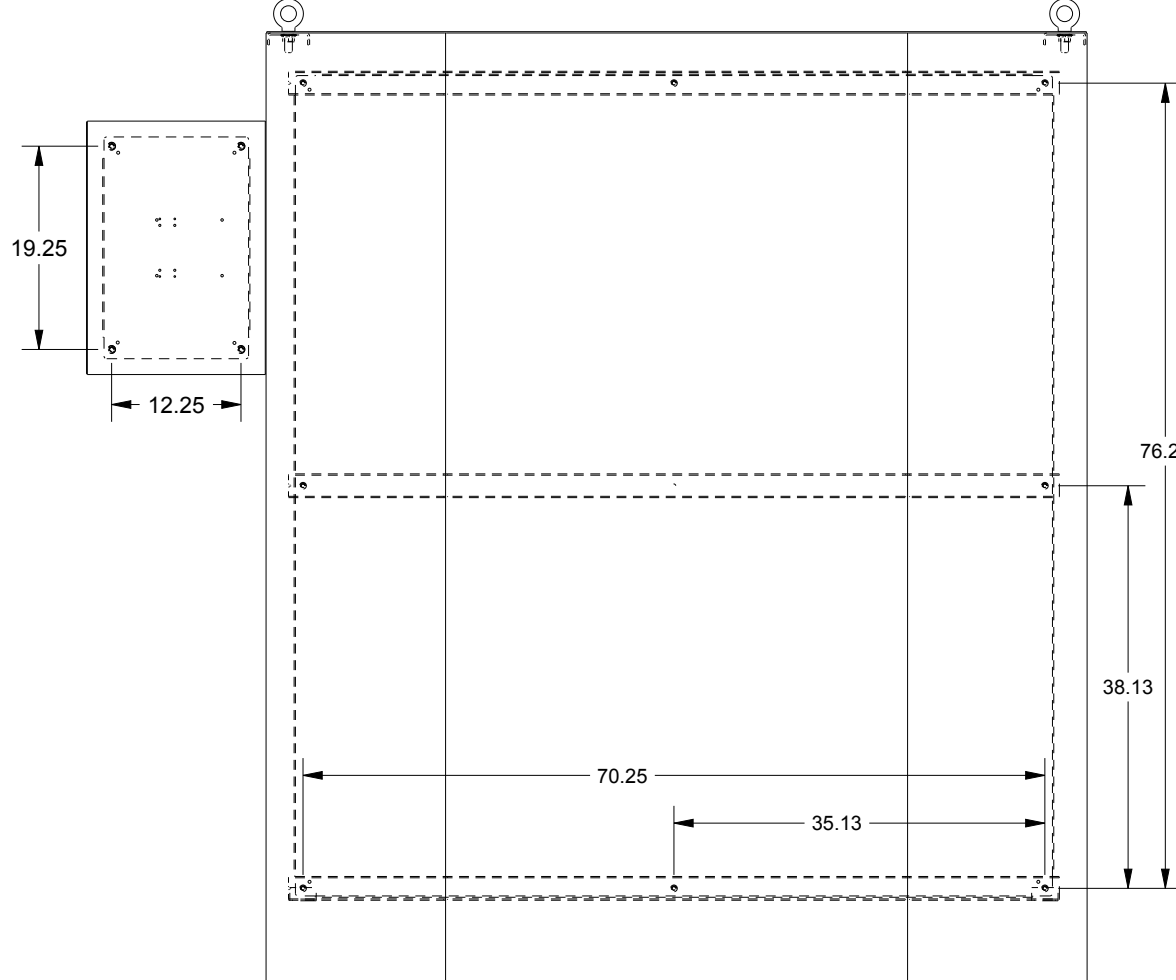
LEFT SIDE VIEW



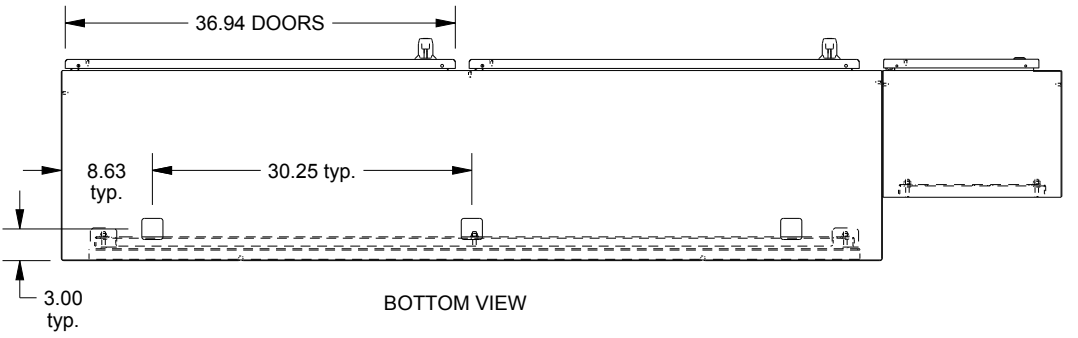
FRONT VIEW



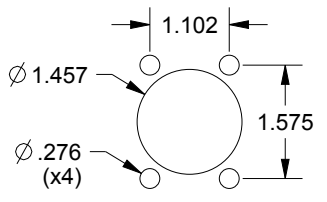
RIGHT SIDE VIEW



EXTERNAL REAR VIEW



BOTTOM VIEW



DETAIL A
SCALE 0.375

WASH SYSTEM 2" SQUARE DRAIN HOLES
IN THE BOTTOM WITH UL APPROVED
HOLE SEALS PROVIDED